

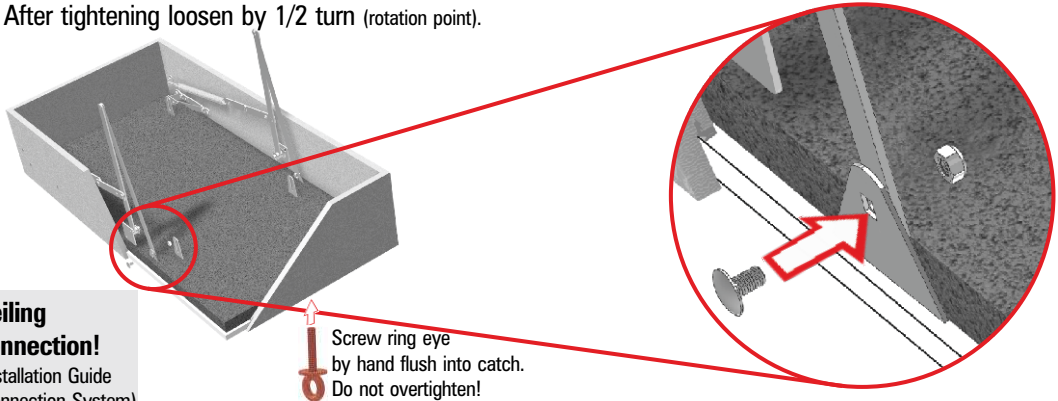
Installation Guide Attic Hatch

⚠ Time of installation: Watch humidity at construction side!
Only install attic stairs when standard climate has been established.

Always install attic hatch without stairs.

Annually inspect in order to ensure that all screws and nuts, except for those at the rotation points of the levers, are tightened securely. Make sure to lubricate all joints / rotation points with oil once a year.

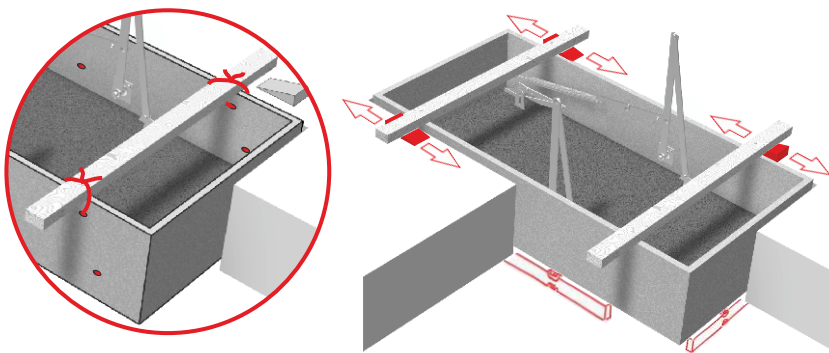
1 Set-up levers: After tightening loosen by 1/2 turn (rotation point).



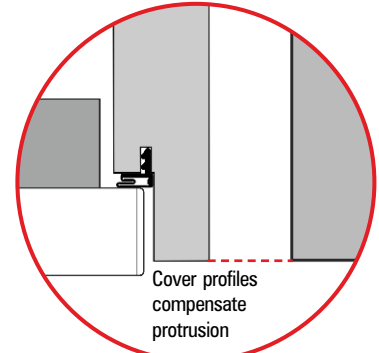
Ceiling connection!
(Installation Guide Connection System)

⚠ Before hanging the attic hatch, glue the sealing tape into the ceiling opening.

2 Strap two roof battens, hinge-in attic hatch and align it horizontally with 4 wooden wedges (spirit level).

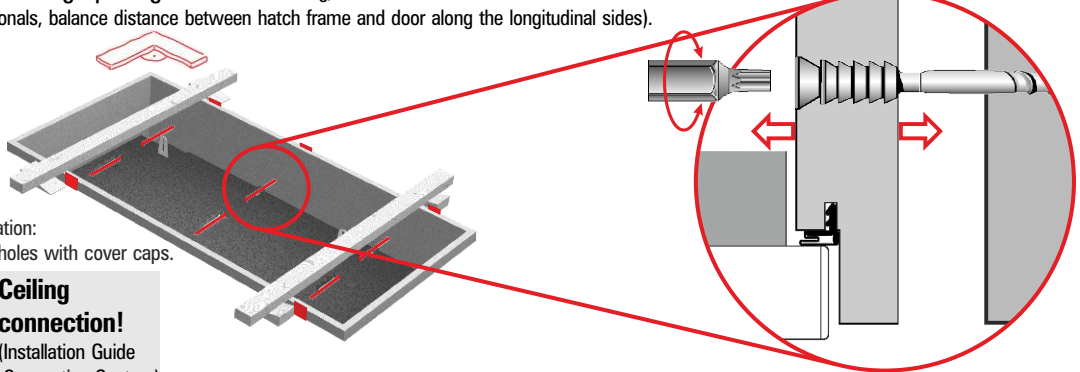


Casing frame flush with ceiling, door protrudes 2 mm!



3 Underlay at pre-drilled holes and screw in adjusting screws (6x). Align to right angle and center attic hatch in the middle of the ceiling opening. For concrete ceiling, use 8-mm dowels.

(Remeasure diagonals, balance distance between hatch frame and door along the longitudinal sides).



At end of installation:
Close mounting holes with cover caps.



Ceiling connection!
(Installation Guide Connection System)

⚠ Push insulation braid into the gap. Glue sealing tape on frame bar.

4 After completion of any other work on the ceiling: Mount cover profiles: Interlock. Test. Uncover adhesive tape. Press on firmly. Fix. (see Installation Guide cover profiles)

Installation of stairs:
Please turn page over!

⚠ User safety: Guardrail!
Installation possible at any later point.

weilhöfer
TREPPEN AUS WÜRZBURG

Installation Guide Stairs

DIN EN 14975 **DIN 3193**

All attic stairs are manufactured in accordance with DIN-EN and are overload method tested for a load of 150 kg (AluDrei for 200 kg).

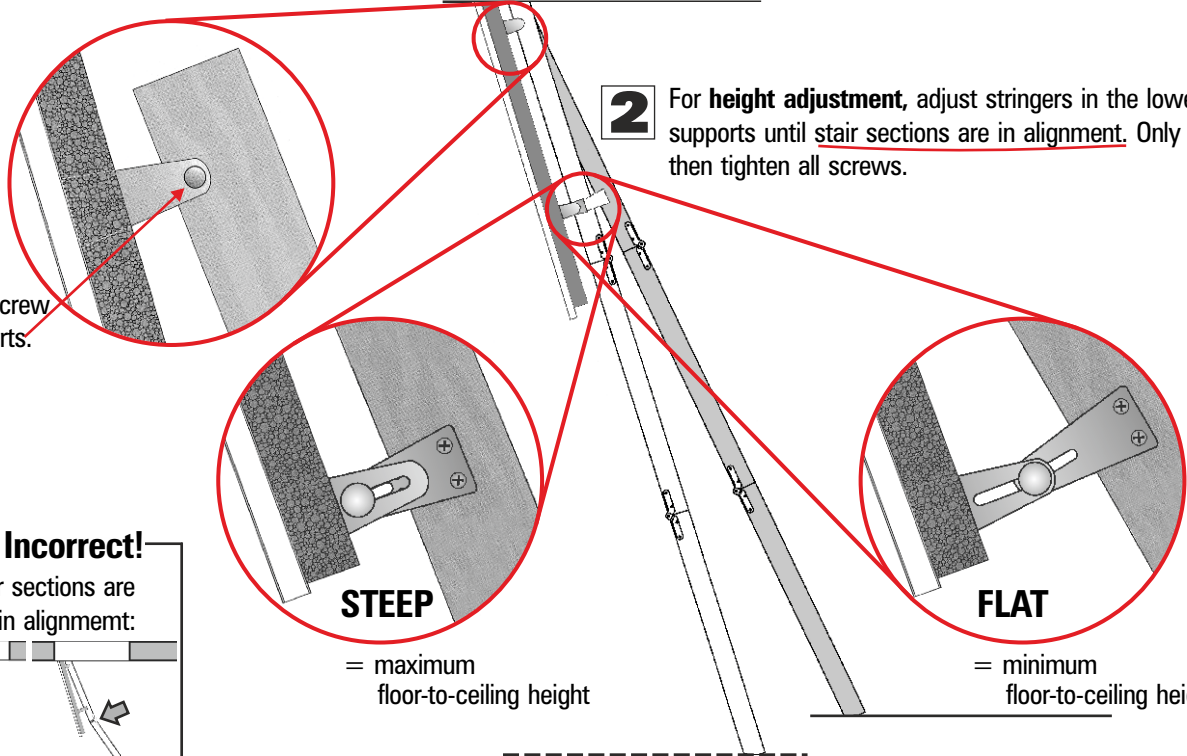
! Correct height adjustment: The installation of the floor must be completed entirely.

3-section: GutHolz / AluDrei / StahlBlau

1 Fasten stairs with screws within supports. Install handrail (Installation Guide Handrail).



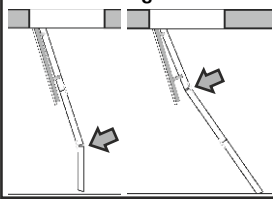
Fasten screw in supports.



2 For **height adjustment**, adjust stringers in the lower supports until stair sections are in alignment. Only then tighten all screws.

! **Incorrect!**

Stair sections are not in alignment:

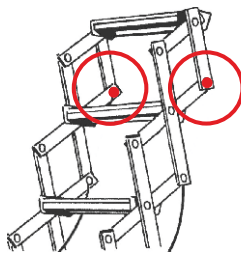


3 When floor-to-ceiling height has been adjusted correctly, stick on floor protection covers (GutHolz).

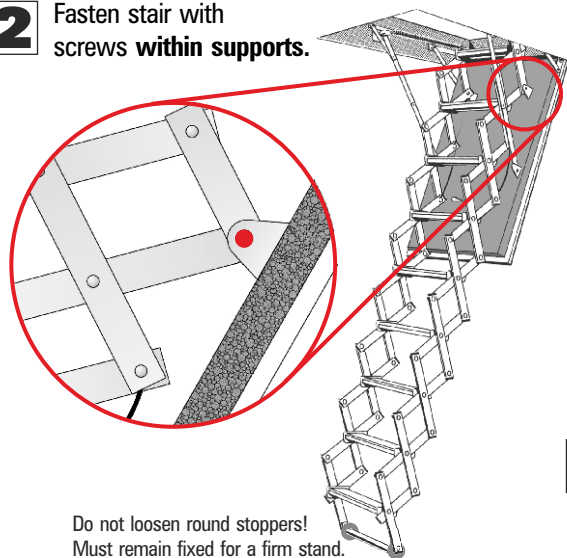
Concertina: LiliPut In case of LiliPut with comfort operation pay attention: Installation guide LiliPut comfort operation

1 Loosen the two upper screw nuts of the stair.

2 Fasten stair with screws within supports.

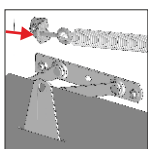
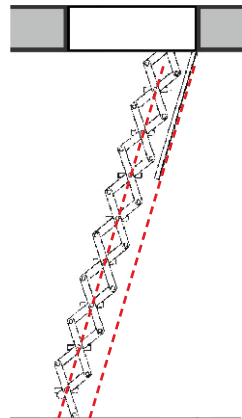


Install handrail telescope (Installation Guide LiliPut Handrail Telescope)



Do not loosen round stoppers! Must remain fixed for a firm stand.

3 Align stairs parallel to the fully opened door. Check secure stand.



When installation is completed, **check tight closing of the hatch door** and fine tune the factory setted spring tension if necessary (nut at ringscrew). Springs are under tension! Therefore only adjust from above with hatch door closed.

Note cladding: thickness maximum 20 mm, use longer ring eye screw; distributed load maximum 10 kg/m²; gap width between hatch door and frame minimum 3.5 mm. Hatch door > 1 m² use stronger springs.

weilhöfer
TREPPEN AUS WÜRZBURG

For over 20 years, Ecological Building Systems has been at the forefront of environmental and sustainable building products supplying a range of innovative airtightness solutions and natural insulations backed up with expert technical support.

As product suppliers in the UK and Ireland, we're happy to assist you with your projects and have expert technical and sales advice on hand.



Call us

Great Britain +44 (0)1228 711511

Ireland +353 46 9432104



Email us

info@ecologicalbuildingsystems.com



Find us

Great Britain Ecological Building Systems UK Ltd.,
Cardewlees, Carlisle, Cumbria, CA5 6LF,
United Kingdom

Ireland Ecological Building Systems Ltd.,
Main Street, Athboy. Co. Meath, C15 Y678,
Republic of Ireland